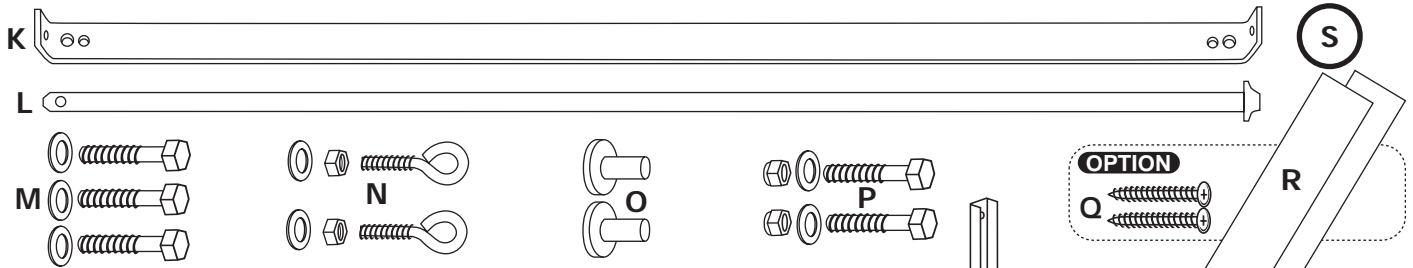
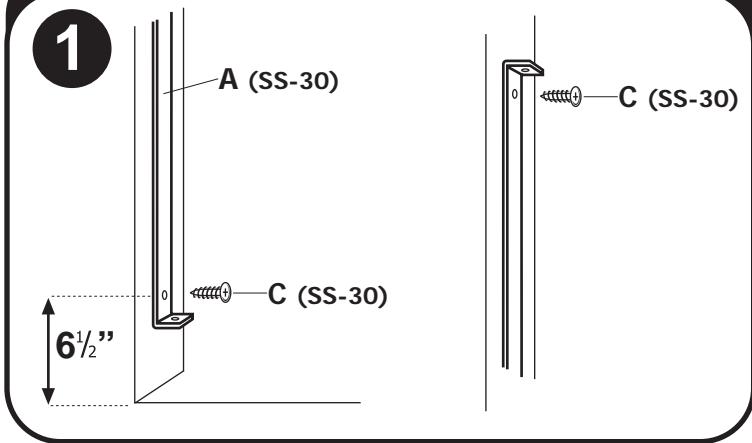


ASSEMBLY INSTRUCTIONS

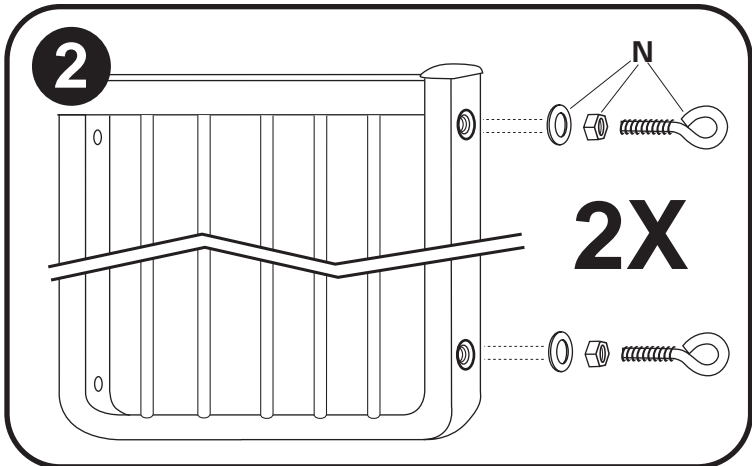


ALL PARTS IN STEP ONE COME FROM MODEL SS-30 HARDWARE

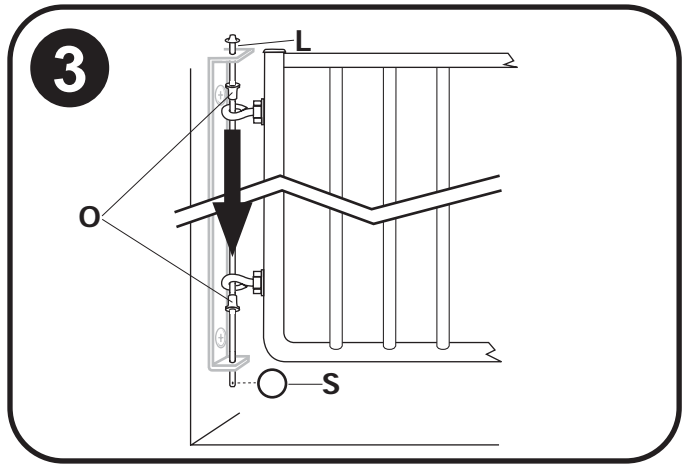


- 1. USING HARDWARE FROM THE SS-30 GATE,** install hinge bracket (A) to wall using Phillips screw (C) beginning $6\frac{1}{2}$ " above floor surface. Install second screw (C) in top of hinge bracket securing it to the wall.

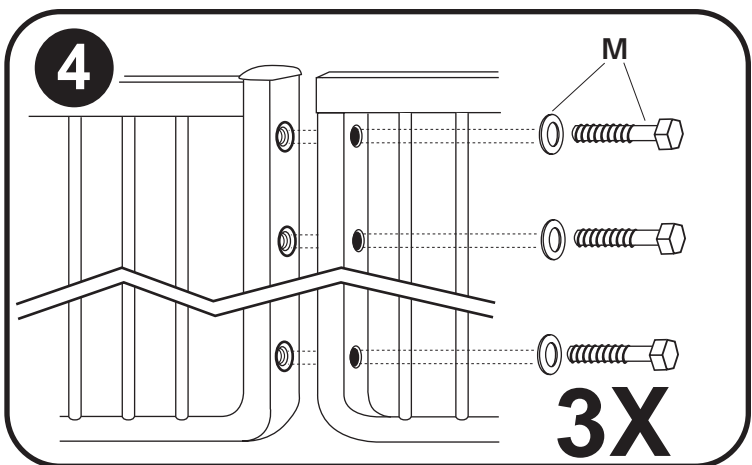
(Use ruler on left edge of this sheet to measure from floor)



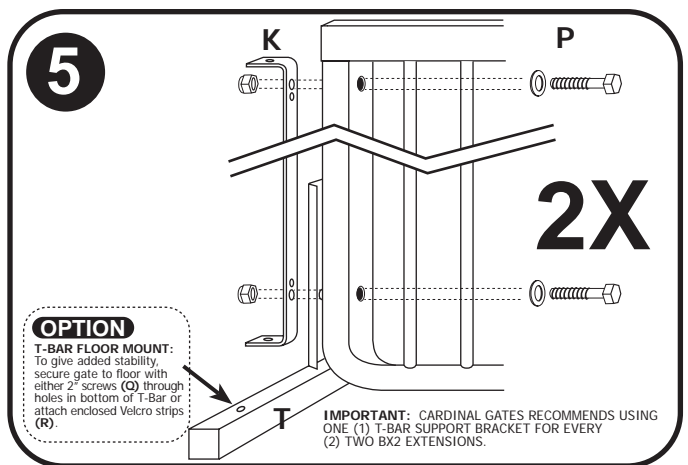
- 2.** Insert eye bolts with standard nut and washer (N) into top and bottom of the first $21\frac{1}{2}$ " BX2 extension.



- 3.** Hang first BX2 extension by inserting hinge rod (L), through top of mounted hinge bracket (A), through upper plastic shoulder washer (O), through both eye bolts, through lower plastic shoulder washer (O), and finally through bottom of hinge bracket. To secure hinge, insert key ring (S) through hole in end of hinge rod.



- 4.** Connect BX2 extensions together by using three (3) $1\frac{1}{2}$ " hex head bolts and washer using hardware from BX2 (M) to join.



- 5.** Mount hinge bracket (K) to end of final BX2 extension using $1\frac{1}{2}$ " hex head bolts, washer and lock nuts (P). Attach the T-Bar (T) support to the bottom of the BX2 extension when inserting lower hex bolt.

6 Mount SS-30

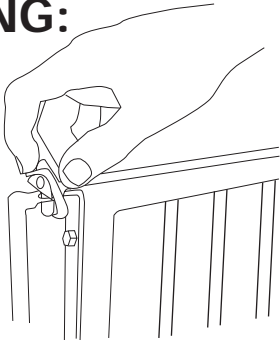
- 6.** Now move to SS-30 instruction sheet and mount the Stairway Special gate to hinge bracket (K) that was mounted in **STEP FIVE**.

WARNING: GATE IS RECOMMENDED FOR CHILDREN BETWEEN 6 AND 24 MONTHS. TO PREVENT SERIOUS INJURY OR DEATH, SECURELY INSTALL GATE OR ENCLOSURE AND USE ACCORDING TO MANUFACTURER'S INSTRUCTIONS. NEVER USE WITH A CHILD ABLE TO CLIMB OVER OR DISLodge/OPEN THE GATE ENCLOSURE. NEVER LEAVE CHILD UNATTENDED. USE ONLY WITH THE LOCKING/LATCHING MECHANISM SECURELY ENGAGED.

GATE OPERATION

FOR OPENING:

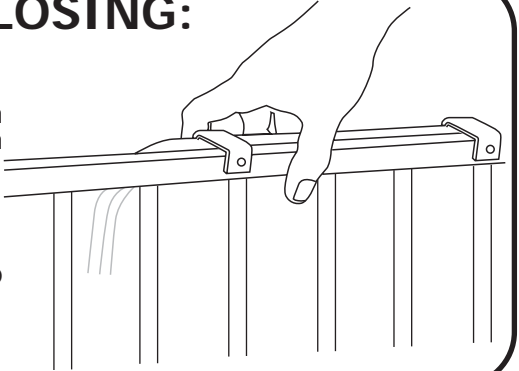
When approaching gate, if latch is to your left, use right hand. Depress flip latches simultaneously with thumb and index finger while lifting gate with remaining fingers of hand.



REMEMBER: Latch to right, use left hand; latch to left, use right hand

FOR CLOSING:

Grasp gate in middle. Lift gate and align latch pins with bracket holes. Drop in place. There is no need to close gate using flip latches.



GATE MAINTENANCE

When used outdoors we suggest spraying hinge and latch parts with a marine corrosion inhibitor by CRC or equivalent. This can be obtained normally at marinas or auto parts stores. Remove set screws when separating frames for cleaning. An external hardware set is available. Please call for information.

To clean, rinse with lukewarm water, wash gently with mild soap or detergent and lukewarm water, using a soft cloth or sponge. Rinse again. Dry with a soft cloth or sponge to prevent water spotting. DO NOT SCRUB or use brushes or squeegees.

GATE CARE & REMINDERS

At **CARDINAL GATES, INC.**, we design what we believe to be the very best, and most user friendly gates available. Our gates are built to last many years with proper use and care. Here are a few suggestions...

- Close gates gently - do not slam - to prevent damage to latch mechanism.
- When closing, be sure safety bracket on gate frame engages as depicted in instructions.
- For safety, always close gate when not in use. Children should not be allowed to swing on an open gate as this can damage hinge mount.
- Keep allen wrench in a secure place. We suggest removing set screws when separating sections for cleaning. Periodically check all screws, bolts, etc. for security and proper adjustment.

CARDINAL GATES, INC., offers many accessories such as extensions, stair kits, and other safety products. Check with your dealer or call **CARDINAL GATES, INC.** at 1-800-318-3380.

We sincerely hope that you thoroughly enjoy many years of service from your **CARDINAL GATE**.

GATE WARRANTY

Your Cardinal Gate is warranted to be free of manufacturing defects for a period of one year from the date of purchase when used in homes, and according to manufacturers instructions. When used commercially, such as day care centers, the warranty is 90 days.

Cardinal Gates, Inc. will either repair or replace, at our option, any parts necessary to correct defects in material or workmanship during the warranty period. The warranty disclaims liability for incidental, special and consequential damages of any nature.

TO EXERCISE WARRANTY:

Ship your gate in a protective carton, freight prepaid to:
CARDINAL GATES, INC.
79 Amlajack Way
Newnan, GA 30265

You must include the following:

1. Proof of purchase (store receipt, etc.).
2. Brief note describing problem with gate.
3. Full return address along with phone number.

FOR FURTHER ASSISTANCE

Call 1-800-318-3380

CARDINAL GATES

If it's a Cardinal, It's the Best!

79 Amlajack Way
Newnan, GA 30265
770-252-4200
www.cardinalgates.com